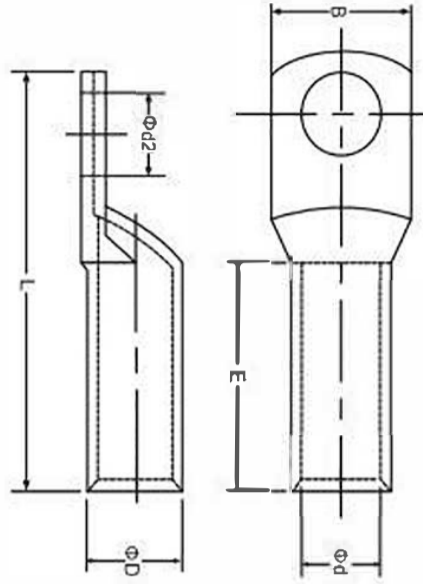


Copper Tubular Lugs (Type DT)

Copper Tubular Lugs

Brand	KF®
Finish/Coating	Tinned
Base Materials	Copper
Insulation Material	N/A
Brazed	Seam
Wire/Cable Type	Regular Wire
Color Code	Standard
MOQ	1000Pcs/item
Payment Terms	Based on orders
Delivery	FOB/CIF/DDP



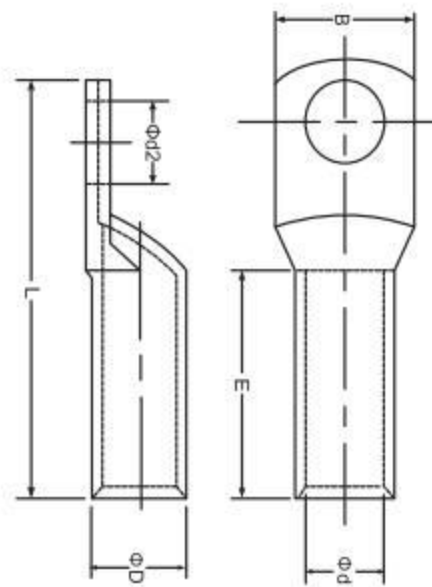
Spec(American AWG)	16	14	12	10	8	6	4	2	1/0
Spec(JIS AWG)	1.5	2.5	4	6	10	16	25	35	50
Spec(DIN AWG)									
Spec(GB mm²)									
Max Current	18	30	35	50	70	95	125	170	230



Wire Range	SKU#	MFG#	Stud Size		Dimension(mm)										Tool	pcs/pack		
			USA	Meric	d2	B	L	D	d	E								
A.W.G. 16 1.5mm²	KFLDT10	DT1.5-4	#10	4	0.205	5.2	0.315	8.0	0.906	23.0	0.157	4.0	0.087	2.2	0.394	10.0	IZUMI 5N18	500
A.W.G. 14 2.5mm²	KFLDT20	DT2.5-4	#8	4	0.165	4.2	0.315	8.0	1.063	27.0	0.177	4.5	0.114	2.9	0.512	13.0	IZUMI 5N18	500
	KFLDT21	DT2.5-5	#10	5	0.205	5.2	0.32	8.0	1.063	27.0	0.177	4.5	0.114	2.9	0.512	13.0		500
	KFLDT22	DT2.5-6	1/4"	6	0.252	6.4	0.39	10.0	1.063	27.0	0.177	4.5	0.114	2.9	0.512	13.0		500
A.W.G. 12 4mm²	KFLDT30	DT4-4	#10	4	0.205	5.2	0.394	10.0	1.122	28.5	0.205	5.2	0.142	3.6	0.512	13.0	IZUMI 5N18	500
	KFLDT31	DT4-5	1/4"	5	0.252	6.4	0.394	10.0	1.122	28.5	0.205	5.2	0.142	3.6	0.512	13.0		500
A.W.G. 10 6mm²	KFLDT40	DT6-5	#10	5	0.205	5.2	0.394	10.0	1.378	35.0	0.236	6.0	0.165	4.2	0.669	17.0	IZUMI 5N18	300
	KFLDT41	DT6-6	1/4"	6	0.252	6.4	0.394	10.0	1.378	35.0	0.236	6.0	0.165	4.2	0.669	17.0		300
	KFLDT42	DT6-8	5/16"	8	0.331	8.4	0.472	12.0	1.378	35.0	0.236	6.0	0.165	4.2	0.669	17.0		300
A.W.G. 8 10mm²	KFLDT50	DT10-5	1/4"	5	0.252	6.4	0.488	12.4	1.417	36.0	0.276	7.0	0.197	5.0	0.669	17.0	IZUMI 5N18	300
	KFLDT51	DT10-6	5/16"	6	0.331	8.4	0.488	12.4	1.417	36.0	0.276	7.0	0.197	5.0	0.669	17.0		300
A.W.G. 6 16mm²	KFLDT60	DT16-6	1/4"	6	0.252	6.4	0.551	14.0	2.283	58.0	0.354	9.0	0.236	6.0	1.26	32.0	OPT TP-150D	100
	KFLDT61	DT16-8	5/16"	8	0.331	8.4	0.551	14.0	2.283	58.0	0.354	9.0	0.236	6.0	1.26	32.0		100
A.W.G. 4 25mm²	KFLDT70	DT25-6	1/4"	6	0.252	6.4	0.591	15.0	2.283	58.0	0.394	10.0	0.276	7.0	1.26	32.0	OPT TP-150D	100
	KFLDT71	DT25-8	5/16"	8	0.331	8.4	0.591	15.0	2.283	58.0	0.394	10.0	0.276	7.0	1.26	32.0		100
	KFLDT72	DT25-10	3/8"	10	0.413	10.5	0.689	17.5	2.283	58.0	0.394	10.0	0.276	7.0	1.26	32.0		100
A.W.G. 2 35mm²	KFLDT80	DT35-6	1/4"	6	0.252	6.4	0.673	17.1	2.441	62.0	0.472	12.0	0.354	9.0	1.417	36.0	OPT TP-150D	100
	KFLDT81	DT35-8	5/16"	8	0.331	8.4	0.673	17.1	2.441	62.0	0.472	12.0	0.354	9.0	1.417	36.0		100
	KFLDT82	DT35-10	3/8"	10	0.413	10.5	0.709	18.0	2.441	62.0	0.472	12.0	0.354	9.0	1.417	36.0		100
A.W.G. 1/0 50mm²	KFLDT90	DT50-8	5/16"	8	0.331	8.4	0.787	20.0	2.835	72.0	0.551	14.0	0.394	10.0	1.575	40.0	OPT TP-150D	100
	KFLDT91	DT50-10	3/8"	10	0.413	10.5	0.787	20.0	2.835	72.0	0.551	14.0	0.394	10.0	1.575	40.0		100

Copper Tubular Lugs (Type DT)

Brand	KF [®]
Finish/Coating	Tinned
Base Materials	Copper
Insulation Material	N/A
Brazed	Seam
Wire/Cable Type	Regular Wire
Color Code	Standard
MOQ	1000Pcs/item
Payment Terms	Based on orders
Delivery	FOB/CIF/DDP



Spec(American AWG)	2/0	3/0	4/0	250/300MCM	300/350MCM	400MCM
Spec(JIS AWG)	70	95	120	150	185	240
Spec(DIN AWG)						
Spec(GB mm ²)						
Max Current	265	310	360	445	505	545
Spec(American AWG)	500MCM	600/750MCM	800/1000MCM	1000/1250MCM		
Spec(JIS AWG)	300	400	500	630		
Spec(DIN AWG)						
Spec(GB mm ²)						
Max Current	620	785	935	1065		



Wire Range	SKU#	MFG#	Stud Size		Dimension(mm)											Tool	pcs/pack	
			USA	Metric	d2	B	L	D	d	E								
A.W.G. 2/0 70mm ²	KFLDTA0	DT70-8	5/16"	8	0.331	8.4	0.906	23.0	2.992	76.0	0.63	16.0	0.472	12.0	1.654	42.0	OPT TP-150D	30
	KFLDTA1	DT70-10	3/8"	10	0.413	10.5	0.906	23.0	2.992	76.0	0.63	16.0	0.472	12.0	1.654	42.0		30
	KFLDTA2	DT70-12	1/2"	12	0.512	13.0	0.906	23.0	2.992	76.0	0.63	16.0	0.472	12.0	1.654	42.0		30
A.W.G. 3/0 95mm ²	KFLDTB0	DT95-10	3/8"	10	0.413	10.5	1.024	26.0	3.307	84.0	0.709	18.0	0.551	14.0	1.732	44.0	OPT TP-150D	30
	KFLDTB1	DT95-12	1/2"	12	0.512	13.0	1.024	26.0	3.307	84.0	0.709	18.0	0.551	14.0	1.732	44.0		30
A.W.G. 4/0 120mm ²	KFLDTC0	DT120-8	1/2"	8	0.512	13.0	1.181	30.0	3.543	90.0	0.827	21.0	0.63	16.0	1.811	46.0	IZUMI EP-520C	20
	KFLDTC1	DT120-10	5/8"	10	0.669	17.0	1.181	30.0	3.543	90.0	0.827	21.0	0.63	16.0	1.811	46.0		20
A.W.G. 250/300MCM 150mm ²	KFLDTD0	DT150-12	1/2"	12	0.512	13.0	1.299	33.0	3.858	98.0	0.906	23.0	0.669	17.0	1.969	50.0	IZUMI EP-520C	10
	KFLDTD1	DT150-16	5/8"	16	0.669	17.0	1.299	33.0	3.858	98.0	0.906	23.0	0.669	17.0	1.969	50.0		10
A.W.G. 300/350MCM 185mm ²	KFLDTE0	DT185-12	1/2"	12	0.512	13.0	1.417	36.0	3.976	101.0	0.984	25.0	0.748	19.0	2.047	52.0	IZUMI EP-520C	10
	KFLDTE1	DT185-16	5/8"	16	0.669	17.0	1.417	36.0	3.976	101.0	0.984	25.0	0.748	19.0	2.047	52.0		10
A.W.G. 400MCM 240mm ²	KFLDTF0	DT240-12	1/2"	12	0.512	13.0	1.575	40.0	4.331	110.0	1.102	28.0	0.85	21.6	2.047	52.0	IZUMI EP-520C	10
	KFLDTF1	DT240-16	5/8"	16	0.669	17.0	1.575	40.0	4.409	112.0	1.102	28.0	0.85	21.6	2.047	52.0		10
	KFLDTF2	DT240-20	3/4"	20	0.827	21.0	1.575	40.0	4.409	112.0	1.102	28.0	0.85	21.6	2.047	52.0		10
A.W.G. 500MCM 300mm ²	KFLDTG0	DT300-16	5/8"	16	0.669	17.0	1.772	45.0	4.567	116.0	1.22	31.0	0.945	24.0	2.283	58.0	IZUMI EP-1000A	6
	KFLDTG1	DT300-20	3/4"	20	0.827	21.0	1.772	45.0	4.724	120.0	1.22	31.0	0.945	24.0	2.283	58.0		6
A.W.G. 600/750MCM 400mm ²	KFLDTH0	DT400-16	5/8"	16	0.669	17.0	2.047	52.0	4.961	126.0	1.437	36.5	1.122	28.5	2.598	66.0	IZUMI EP-1000A	4
	KFLDTH1	DT400-20	3/4"	20	0.827	21.0	2.047	52.0	5.157	131.0	1.437	36.5	1.122	28.5	2.598	66.0		4
A.W.G. 800/1000MCM 500mm ²	KFLDTI0	DT500-16	5/8"	16	0.669	17.0	2.205	56.0	5.551	141.0	1.535	39.0	1.201	30.5	2.756	70.0	IZUMI EP-1000A	1
	KFLDTI1	DT500-20	3/4"	20	0.827	21.0	2.205	56.0	5.748	146.0	1.535	39.0	1.201	30.5	2.756	70.0		1
A.W.G. 1000/1250MCM 630mm ²	KFLDTJ0	DT630-20	3/4"	20	0.827	21.0	2.559	65.0	6.614	168.0	1.772	45.0	1.398	35.5	3.15	80.0	IZUMI EP-1000A	1