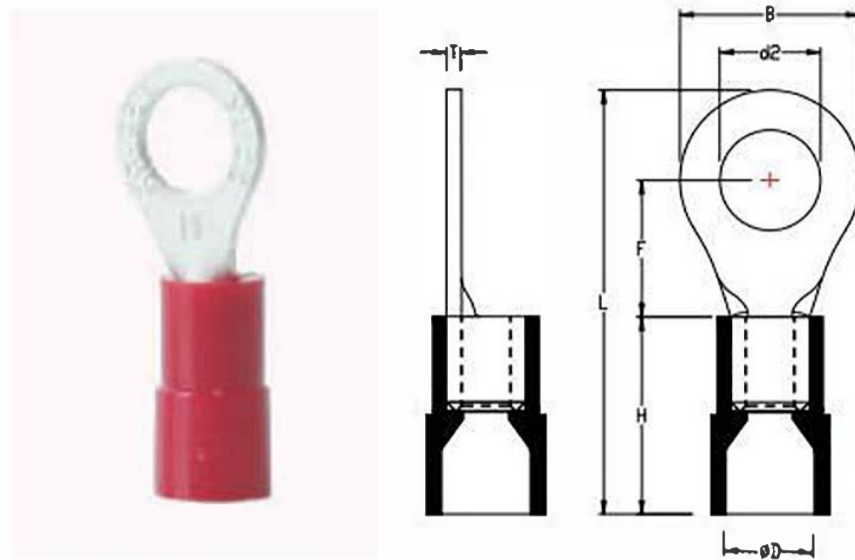


Nylon-Insulated Single Crimp Ring Terminals

Brand	KF®
Finish/Coating	Tinned
Base Materials	Copper, Nylon
Insulation Material	N/A
Brazed	Seam
Wire/Cable Type	Regular Wire
Color Code	Standard
MOQ	1000Pcs/item
Payment Terms	Based on orders
Delivery	FOB/CIF/DDP



Spec (American AWG)	26-22	22-16	16-14	14-12	12-10
Spec (JIS AWG)	0.5	1.25	2	3.5	5.5
Spec (DIN AWG)	0.5	1	2.5		4.0-6.0
Spec (GB mm²)	0.1-0.5	0.5-1.5	2.5	4	6
Max Current		19		37	48
Operating Voltage	600V				
Temperature Withstand	105°C				

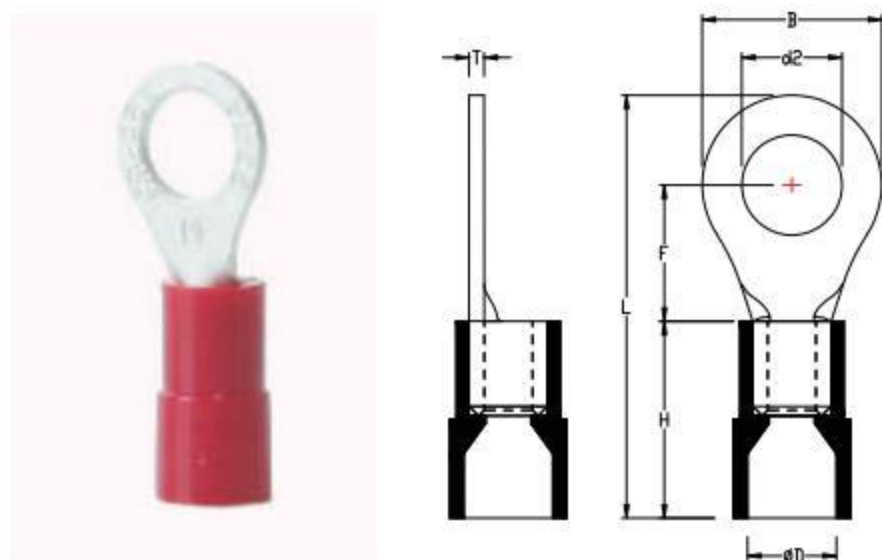


Insulated Single Crimp Terminals

Wire Range	SKU#	MFG#	Stud Size		Dimension(mm)								Color	Tool	pcs/pack			
			USA	Meri	d2	B	F	L	H	D	T							
A.W.G. 22-16 0.5~1.5mm²	KFSN110	RNY1.25-3	#4	3.0	0.126	3.2	0.217	5.5	0.197	5.0	0.709	18.0	0.413 (10.5)	0.157 (4.0)	0.03 (0.75)	red	IZUMI 3#	1000
	KFSN111	RNYS1.25-3.5	#6	3.5	0.146	3.7	0.217	5.5	0.197	5.0	0.709	18.0						1000
	KFSN112	RNYM1.25-3.5	#6	3.5	0.146	3.7	0.256	6.5	0.236	6.0	0.787	20.0						1000
	KFSN113	RNYS1.25-4	#8	4.0	0.169	4.3	0.256	6.5	0.236	6.0	0.787	20.0						1000
	KFSN114	RNYL1.25-4	#8	4.0	0.169	4.3	0.315	8.0	0.276	7.0	0.846	21.5						1000
	KFSN115	RNY1.25-5	#10	5.0	0.209	5.3	0.315	8.0	0.276	7.0	0.846	21.5						1000
	KFSN116	RNYL1.25-5	#10	5.0	0.209	5.3	0.394	10.0	0.315	8.0	0.925	23.5						1000
	KFSN117	RNYS1.25-6	1/4"	6.0	0.252	6.4	0.394	10.0	0.315	8.0	0.925	23.5						1000
	KFSN118	RNY1.25-6	1/4"	6.0	0.252	6.4	0.453	11.5	0.433	11.0	1.083	27.5						1000
	KFSN119	RNY1.25-8	5/16"	8.0	0.331	8.4	0.453	11.5	0.433	11.0	1.083	27.5						1000
	KFSN11A	RNY1.25-10	3/8"	10.0	0.413	10.5	0.531	13.5	0.551	14.0	1.22	31.0						1000
KFSN11B	RNY1.25-12	1/2"	12.0	0.512	13.0	0.748	19.0	0.551	14.0	1.417	36.0	500						
A.W.G. 16-14 1.5~2.5mm²	KFSN120	RNY2-3	#4	3.0	0.126	3.2	0.256	6.5	0.177	4.5	0.728	18.5	0.413 (10.5)	0.177 (4.5)	0.031 (0.8)	blue	IZUMI 4#	1000
	KFSN121	RNYS2-3.5	#6	3.5	0.146	3.7	0.256	6.5	0.177	4.5	0.728	18.5						1000
	KFSN122	RNYM2-3.5	#6	3.5	0.146	3.7	0.256	6.5	0.236	6.0	0.787	20.0						1000
	KFSN123	RNYS2-4	#8	4.0	0.169	4.3	0.256	6.5	0.236	6.0	0.787	20.0						1000
	KFSN124	RNYL2-4	#8	4.0	0.169	4.3	0.335	8.5	0.315	8.0	0.886	22.5						1000
	KFSN125	RNYS2-5	#10	5.0	0.209	5.3	0.335	8.5	0.315	8.0	0.886	22.5						1000
	KFSN126	RNYL2-5	#10	5.0	0.209	5.3	0.374	9.5	0.295	7.5	0.886	22.5						1000
	KFSN127	RNY2-6	1/4"	6.0	0.252	6.4	0.472	12.0	0.433	11.0	1.083	27.5						1000
	KFSN128	RNY2-8	5/16"	8.0	0.331	8.4	0.472	12.0	0.433	11.0	1.083	27.5						1000
	KFSN129	RNY2-10	3/8"	10.0	0.413	10.5	0.531	13.5	0.551	14.0	1.22	31.0						1000
	KFSN12A	RNY2-12	1/2"	12.0	0.512	13.0	0.748	19.0	0.63	16.0	1.417	36.0						500
A.W.G. 14-12 2.5~4mm²	KFSN130	RNY3.5-4	#8	4.0	0.169	4.3	0.315	8.0	0.315	8.0	1.004	25.5	0.531 (13.5)	0.236 (6.0)	0.039 (1.0)	black	IZUMI 5#	1000
	KFSN131	RNYS3.5-5	#10	5.0	0.209	5.3	0.315	8.0	0.315	8.0	1.004	25.5						1000
	KFSN132	RNYL3.5-5	#10	5.0	0.209	5.3	0.472	12.0	0.374	9.5	1.142	29.0						500
	KFSN133	RNY3.5-6	1/4"	6.0	0.252	6.4	0.472	12.0	0.374	9.5	1.142	29.0						500
	KFSN134	RNY3.5-8	5/16"	8.0	0.331	8.4	0.591	15.0	0.531	13.5	1.358	34.5						500
	KFSN135	RNY3.5-10	3/8"	10.0	0.413	10.5	0.591	15.0	0.531	13.5	1.358	34.5						500
	KFSN136	RNY3.5-12	1/2"	12.0	0.512	13.0	0.787	20.0	0.61	15.5	1.535	39.0						500
A.W.G. 12-10 4~6mm²	KFSN140	RNY5.5-3.5	#6	3.5	0.146	3.7	0.276	7.0	0.236	6.0	0.906	23.0	0.531 (13.5)	0.256 (6.5)	0.039 (1.0)	yellow	IZUMI 5#	1000
	KFSN141	RNYS5.5-4	#8	4.0	0.169	4.3	0.276	7.0	0.236	6.0	0.906	23.0						1000
	KFSN142	RNYL5.5-4	#8	4.0	0.169	4.3	0.374	9.5	0.315	8.0	1.043	26.5						1000
	KFSN143	RNY5.5-5	#10	5.0	0.209	5.3	0.374	9.5	0.315	8.0	1.043	26.5						1000
	KFSN144	RNY5.5-6	1/4"	6.0	0.252	6.4	0.472	12.0	0.413	10.5	1.181	30.0						500
	KFSN145	RNY5.5-8	5/16"	8.0	0.331	8.4	0.591	15.0	0.531	13.5	1.35	34.3						500
	KFSN146	RNY5.5-10	3/8"	10.0	0.413	10.5	0.591	15.0	0.531	13.5	1.35	34.3						500
	KFSN147	RNY5.5-12	1/2"	12.0	0.512	13.0	0.748	19.0	0.63	16.0	1.535	39.0						500

Nylon-Insulated Single Crimp Ring Terminals

Brand	KF [®]
Finish/Coating	Tinned
Base Materials	Copper, Nylon
Insulation Material	N/A
Brazed	Seam
Wire/Cable Type	Regular Wire
Color Code	Standard
MOQ	1000Pcs/item
Payment Terms	Based on orders
Delivery	FOB/CIF/DDP



Spec (American AWG)	8	6	4	2
Spec (JIS AWG)	8	14	22	38
Spec (DIN AWG)	10	16	25	
Spec (GB mm ²)	10	16	25	
Max Current	62	88	115	
Operating Voltage	600V			
Temperature Withstand	105°C			



Wire Range	SKU#	MFG#	Stud Size		Dimension(mm)							Color	Tool	pcs/pack				
			USA	Meric	d2	B	F	L	H	D	T							
A.W.G. 8 8mm ²	KFSN150	RNY8-4	#8	4.0	0.169	4.3	0.346	8.8	0.413	10.5	1.24	31.5	0.65 (16.5)	0.354 (9.0)	0.047 (1.2)	red	OPT TP - 80	500
	KFSN151	RNYS8-5	#10	5.0	0.209	5.3	0.346	8.8	0.413	10.5	1.24	31.5						500
	KFSN152	RNYM8-5	#10	5.0	0.209	5.3	0.472	12.0	0.354	9.0	1.24	31.5						500
	KFSN153	RNYL8-5	#10	5.0	0.209	5.3	0.591	15.0	0.551	14.0	1.496	38.0						500
	KFSN154	RNYS8-6	1/4"	6.0	0.252	6.4	0.472	12.0	0.354	9.0	1.24	31.5						500
	KFSN155	RNYL8-6	1/4"	6.0	0.252	6.4	0.591	15.0	0.551	14.0	1.496	38.0						250
	KFSN156	RNY8-8	5/16"	8.0	0.331	8.4	0.591	15.0	0.551	14.0	1.496	38.0						250
	KFSN157	RNY8-10	3/8"	10.0	0.413	10.5	0.591	15.0	0.551	14.0	1.496	38.0						250
KFSN158	RNY8-12	1/2"	12.0	0.512	13.0	0.866	22.0	0.591	15.0	1.673	42.5	250						
A.W.G. 6 14mm ²	KFSN160	RNY14-4	#8	4.0	0.169	4.3	0.472	12.0	0.531	13.5	1.555	39.5	0.807 (20.5)	0.433 (11.0)	0.055 (1.4)	blue	OPT TP - 80	250
	KFSN161	RNY14-5	#10	5.0	0.209	5.3	0.472	12.0	0.531	13.5	1.555	39.5						250
	KFSN162	RNYS14-6	1/4"	6.0	0.252	6.4	0.472	12.0	0.531	13.5	1.555	39.5						250
	KFSN163	RNYL14-6	1/4"	6.0	0.252	6.4	0.63	16.0	0.551	14.0	1.673	42.5						250
	KFSN164	RNY14-8	5/16"	8.0	0.331	8.4	0.63	16.0	0.551	14.0	1.673	42.5						250
	KFSN165	RNY14-10	3/8"	10.0	0.413	10.5	0.63	16.0	0.551	14.0	1.673	42.5						250
	KFSN166	RNY14-12	1/2"	12.0	0.512	13.0	0.866	22.0	0.768	19.5	2.008	51.0						200
	KFSN167	RNY14-16	5/8"	16.0	0.669	17.0	1.181	30.0	1.004	25.5	2.402	61.0						200
A.W.G. 4 22mm ²	KFSN170	RNYS22-5	#10	5.0	0.209	5.3	0.472	12.0	0.571	14.5	1.752	44.5	0.945 (24.0)	0.531 (13.5)	0.067 (1.7)	yellow	OPT TP - 80	100
	KFSN171	RNYL22-5	#10	5.0	0.209	5.3	0.65	16.5	0.531	13.5	1.791	45.5						100
	KFSN172	RNYS22-6	1/4"	6.0	0.252	6.4	0.472	12.0	0.571	14.5	1.752	44.5						100
	KFSN173	RNYL22-6	1/4"	6.0	0.252	6.4	0.65	16.5	0.531	13.5	1.791	45.5						100
	KFSN174	RNY22-8	5/16"	8.0	0.331	8.4	0.65	16.5	0.531	13.5	1.791	45.5						100
	KFSN175	RNY22-10	3/8"	10.0	0.413	10.5	0.65	16.5	0.531	13.5	1.791	45.5						100
	KFSN176	RNY22-12	1/2"	12.0	0.512	13.0	0.866	22.0	0.768	19.5	2.146	54.5						100
	KFSN177	RNY22-14	9/16"	14.0	0.591	15.0	1.181	30.0	0.984	25.0	2.52	64.0						100
	KFSN178	RNY22-16	5/8"	16.0	0.669	17.0	1.181	30.0	0.984	25.0	2.52	64.0						100
	A.W.G. 2 38mm ²	KFSN180	RNY38-5	#10	5.0	0.209	5.3	0.61	15.5	0.728	18.5	2.106						53.5
KFSN181		RNY38-6	1/4"	6.0	0.256	6.5	0.61	15.5	0.728	18.5	2.106	53.5	50					
KFSN182		RNYS38-8	5/16"	8.0	0.335	8.5	0.61	15.5	0.728	18.5	2.106	53.5	50					
KFSN183		RNYL38-8	5/16"	8.0	0.335	8.5	0.866	22.0	0.689	17.5	2.205	56.0	50					
KFSN184		RNYS38-10	3/8"	10.0	0.413	10.5	0.61	15.5	0.728	18.5	2.106	53.5	50					
KFSN185		RNYL38-10	3/8"	10.0	0.413	10.5	0.866	22.0	0.689	17.5	2.205	56.0	50					
KFSN186		RNY38-12	1/2"	12.0	0.512	13.0	0.866	22.0	0.689	17.5	2.205	56.0	50					
KFSN187		RNY38-14	9/16"	14.0	0.591	15.0	1.181	30.0	0.945	24.0	2.598	66.0	50					
KFSN188		RNY38-16	5/8"	16.0	0.669	17.0	1.181	30.0	0.945	24.0	2.598	66.0	50					