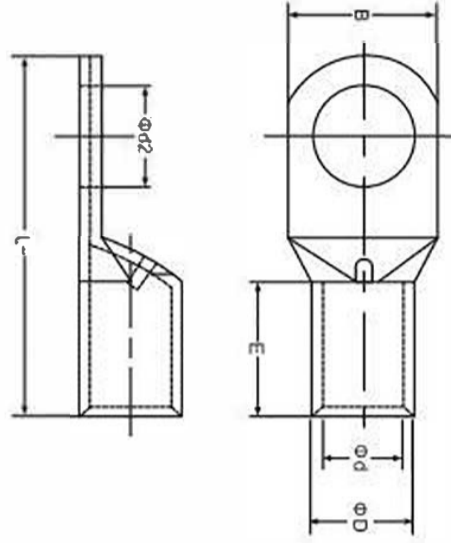


Copper Tubular Lugs (T)

Brand	KF [®]
Finish/Coating	Tinned
Base Materials	Copper
Insulation Material	N/A
Brazed	Seam
Wire/Cable Type	Regular Wire
Color Code	Standard
MOQ	1000Pcs/item
Payment Terms	Based on orders
Delivery	FOB/CIF/DDP



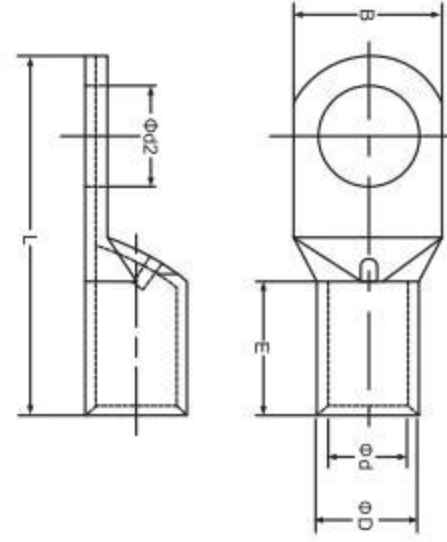
Spec(American AWG)	16	14	12	10	8	6	4
Spec(JIS AWG)	1.5	2.5	4	6	10	16	25
Spec(DIN AWG)							
Spec(GB mm ²)							
Max Current	18	30	35	50	70	95	125



Wire Range	SKU#	MFG#	Stud Size		Dimension(mm)											Tool	pcs/pack	
			USA	Metric	d2	B	L	D	d	E								
A.W.G. 16 1.5mm ²	KFL1T10	T1.5-4	#8	4	0.169	4.3	0.343	8.7	0.748	19.0	0.157	4.0	0.094	2.4	0.276	7.0	IZUMI 5N18	1000
	KFL1T11	T1.5-5	#10	5	0.209	5.3	0.343	8.7	0.748	19.0	0.157	4.0	0.094	2.4	0.276	7.0		1000
	KFL1T12	T1.5-6	1/4"	6	0.252	6.4	0.394	10.0	0.787	20.0	0.157	4.0	0.094	2.4	0.276	7.0		1000
A.W.G. 14 2.5mm ²	KFL1T20	T2.5-4	#8	4	0.169	4.3	0.343	8.7	0.748	19.0	0.169	4.3	0.106	2.7	0.276	7.0	IZUMI 5N18	1000
	KFL1T21	T2.5-5	#10	5	0.209	5.3	0.343	8.7	0.748	19.0	0.169	4.3	0.106	2.7	0.276	7.0		1000
	KFL1T22	T2.5-6	1/4"	6	0.252	6.4	0.406	10.3	0.827	21.0	0.169	4.3	0.106	2.7	0.276	7.0		1000
	KFL1T23	T2.5-8	5/16"	8	0.327	8.3	0.472	12.0	0.906	23.0	0.169	4.3	0.106	2.7	0.276	7.0		1000
A.W.G. 12 4mm ²	KFL1T30	T4-4	#8	4	0.169	4.3	0.343	8.7	0.846	21.5	0.189	4.8	0.122	3.1	0.374	9.5	IZUMI 5N18	1000
	KFL1T31	T4-5	#10	5	0.209	5.3	0.343	8.7	0.846	21.5	0.189	4.8	0.122	3.1	0.374	9.5		1000
	KFL1T32	T4-6	1/4"	6	0.252	6.4	0.406	10.3	0.925	23.5	0.189	4.8	0.122	3.1	0.374	9.5		1000
	KFL1T33	T4-8	5/16"	8	0.327	8.3	0.492	12.5	1.122	28.5	0.189	4.8	0.122	3.1	0.374	9.5		1000
A.W.G. 10 6mm ²	KFL1T40	T6-4	#8	4	0.169	4.3	0.406	10.3	1.024	26.0	0.217	5.5	0.15	3.8	0.394	10.0	IZUMI 5N18	500
	KFL1T41	T6-5	#10	5	0.209	5.3	0.406	10.3	1.024	26.0	0.217	5.5	0.15	3.8	0.394	10.0		500
	KFL1T42	T6-6	1/4"	6	0.252	6.4	0.406	10.3	1.024	26.0	0.217	5.5	0.15	3.8	0.394	10.0		500
	KFL1T43	T6-7	5/16"	7	0.327	8.3	0.547	13.9	1.142	29.0	0.217	5.5	0.15	3.8	0.394	10.0		500
	KFL1T44	T6-10	3/8"	10	0.413	10.5	0.547	13.9	1.142	29.0	0.217	5.5	0.15	3.8	0.394	10.0		500
A.W.G. 8 10mm ²	KFL1T50	T10-4	#8	4	0.169	4.3	0.469	11.9	1.083	27.5	0.272	6.9	0.185	4.7	0.453	11.5	IZUMI 5N18	500
	KFL1T51	T10-5	#10	5	0.209	5.3	0.469	11.9	1.083	27.5	0.272	6.9	0.185	4.7	0.453	11.5		500
	KFL1T52	T10-6	1/4"	6	0.252	6.4	0.469	11.9	1.083	27.5	0.272	6.9	0.185	4.7	0.453	11.5		500
	KFL1T53	T10-8	5/16"	8	0.327	8.3	0.531	13.5	1.201	30.5	0.272	6.9	0.185	4.7	0.453	11.5		500
	KFL1T54	T10-10	3/8"	10	0.413	10.5	0.591	15.0	1.201	30.5	0.272	6.9	0.185	4.7	0.453	11.5		500
	KFL1T55	T10-12	1/2"	12	0.52	13.2	0.669	17.0	1.339	34.0	0.272	6.9	0.185	4.7	0.453	11.5		500
A.W.G. 6 16mm ²	KFL1T60	T16-5	#10	5	0.209	5.3	0.472	12.0	1.083	27.5	0.307	7.8	0.22	5.6	0.472	12.0	OPT TP-150D	500
	KFL1T61	T16-6	1/4"	6	0.252	6.4	0.472	12.0	1.083	27.5	0.307	7.8	0.22	5.6	0.472	12.0		500
	KFL1T62	T16-8	5/16"	8	0.327	8.3	0.531	13.5	0.827	21.0	0.307	7.8	0.22	5.6	0.472	12.0		500
	KFL1T63	T16-10	3/8"	10	0.413	10.5	0.63	16.0	1.26	32.0	0.307	7.8	0.22	5.6	0.472	12.0		500
	KFL1T64	T16-12	1/2"	12	0.52	13.2	0.669	17.0	1.476	37.5	0.307	7.8	0.22	5.6	0.472	12.0		500
A.W.G. 4 25mm ²	KFL1T70	T25-6	1/4"	6	0.252	6.4	0.551	14.0	1.339	34.0	0.374	9.5	0.28	7.1	0.531	13.5	OPT TP-150D	250
	KFL1T71	T25-8	5/16"	8	0.327	8.3	0.551	14.0	1.339	34.0	0.374	9.5	0.28	7.1	0.531	13.5		250
	KFL1T72	T25-10	3/8"	10	0.413	10.5	0.63	16.0	1.457	37.0	0.374	9.5	0.28	7.1	0.531	13.5		250
	KFL1T73	T25-12	1/2"	12	0.52	13.2	0.709	18.0	1.575	40.0	0.374	9.5	0.28	7.1	0.531	13.5		250

Copper Tubular Lugs (T)

Brand	KF®
Finish/Coating	Tinned
Base Materials	Copper
Insulation Material	N/A
Brazed	Seam
Wire/Cable Type	Regular Wire
Color Code	Standard
MOQ	1000Pcs/item
Payment Terms	Based on orders
Delivery	FOB/CIF/DDP



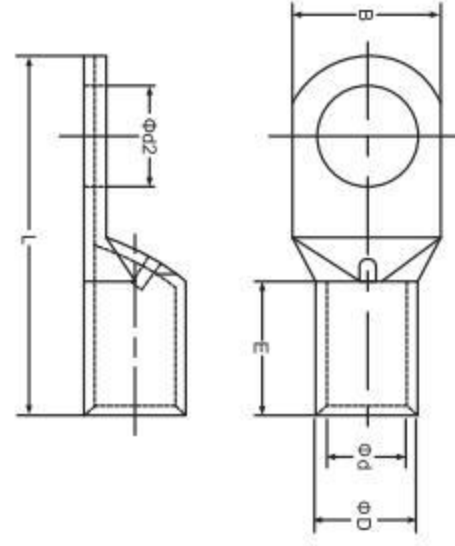
Spec(American AWG)	2	1/0	2/0	3/0	4/0
Spec(JIS AWG)	35	50	70	95	120
Spec(DIN AWG)					
Spec(GB mm²)					
Max Current	170	230	265	310	360



Wire Range	SKU#	MFG#	Stud Size		Dimension(mm)										Tool	pcs/pack		
			USA	Meri	d2	B	L	D	d	E								
A.W.G. 2 35mm²	KFL1T80	T35-6	1/4"	6	0.252	6.4	0.65	16.5	1.535	39.0	0.433	11.0	0.323	8.2	0.63	16.0	OPT TP-150D	200
	KFL1T81	T35-8	5/16"	8	0.327	8.3	0.65	16.5	1.535	39.0	0.433	11.0	0.323	8.2	0.63	16.0		200
	KFL1T82	T35-10	3/8"	10	0.413	10.5	0.65	16.5	1.693	43.0	0.433	11.0	0.323	8.2	0.63	16.0		200
	KFL1T83	T35-12	1/2"	12	0.52	13.2	0.709	18.0	1.693	43.0	0.433	11.0	0.323	8.2	0.63	16.0		200
	KFL1T84	T35-14	9/16"	14	0.571	14.5	0.787	20.0	1.89	48.0	0.433	11.0	0.323	8.2	0.63	16.0		200
	KFL1T85	T35-16	5/8"	16	0.65	16.5	0.906	23.0	1.89	48.0	0.433	11.0	0.323	8.2	0.63	16.0		200
A.W.G. 1 40mm²	KFL1T90	T40-6	1/4"	6	0.252	6.4	0.669	17.0	1.732	44.0	0.441	11.2	0.354	9.0	0.669	17.0	OPT TP-150D	200
	KFL1T91	T40-8	5/16"	8	0.327	8.3	0.669	17.0	1.732	44.0	0.441	11.2	0.354	9.0	0.669	17.0		200
	KFL1T92	T40-10	3/8"	10	0.413	10.5	0.669	17.0	1.732	44.0	0.441	11.2	0.354	9.0	0.669	17.0		200
	KFL1T93	T40-12	1/2"	12	0.52	13.2	0.709	18.0	1.732	44.0	0.441	11.2	0.354	9.0	0.669	17.0		200
A.W.G. 1/0 50mm²	KFL1TA0	T50-6	1/4"	6	0.252	6.4	0.709	18.0	1.772	45.0	0.492	12.5	0.374	9.5	0.787	20.0	OPT TP-150D	100
	KFL1TA1	T50-8	5/16"	8	0.327	8.3	0.709	18.0	1.772	45.0	0.492	12.5	0.374	9.5	0.787	20.0		100
	KFL1TA2	T50-10	3/8"	10	0.413	10.5	0.709	18.0	1.929	49.0	0.492	12.5	0.374	9.5	0.787	20.0		100
	KFL1TA3	T50-12	1/2"	12	0.52	13.2	0.709	18.0	1.929	49.0	0.492	12.5	0.374	9.5	0.787	20.0		100
	KFL1TA4	T50-14	9/16"	14	0.571	14.5	0.866	22.0	2.126	54.0	0.492	12.5	0.374	9.5	0.787	20.0		100
	KFL1TA5	T50-16	5/8"	16	0.65	16.5	0.984	25.0	2.441	62.0	0.551	14.0	0.374	9.5	0.906	23.0		100
	KFL1TA6	T50-20	3/8"	20	0.827	21.0	1.181	30.0	2.677	68.0	0.551	14.0	0.374	9.5	0.906	23.0		100
A.W.G. 2/0 70mm²	KFL1TB0	T70-8	5/16"	8	0.327	8.3	0.866	22.0	1.874	47.6	0.591	15.0	0.453	11.5	0.787	20.0	OPT TP-150D	100
	KFL1TB1	T70-10	3/8"	10	0.413	10.5	0.866	22.0	2.031	51.6	0.591	15.0	0.453	11.5	0.787	20.0		100
	KFL1TB2	T70-12	1/2"	12	0.52	13.2	0.866	22.0	2.031	51.6	0.591	15.0	0.453	11.5	0.787	20.0		100
	KFL1TB3	T70-14	9/16"	14	0.571	14.5	0.866	22.0	2.465	62.6	0.591	15.0	0.453	11.5	0.787	20.0		100
	KFL1TB4	T70-16	5/8"	16	0.65	16.5	0.866	22.0	2.465	62.6	0.591	15.0	0.453	11.5	0.787	20.0		100
	KFL1TB5	T70-20	3/4"	20	0.827	21.0	1.181	30.0	2.465	62.6	0.591	15.0	0.453	11.5	0.787	20.0		100
A.W.G. 3/0 95mm²	KFL1TC0	T95-8	5/16"	8	0.327	8.3	0.984	25.0	2.197	55.8	0.669	17.0	0.531	13.5	0.866	22.0	OPT TP-150D	50
	KFL1TC1	T95-10	3/8"	10	0.413	10.5	0.984	25.0	2.197	55.8	0.669	17.0	0.531	13.5	0.866	22.0		50
	KFL1TC2	T95-12	1/2"	12	0.52	13.2	0.984	25.0	2.197	55.8	0.669	17.0	0.531	13.5	0.866	22.0		50
	KFL1TC3	T95-14	9/16"	14	0.571	14.5	0.984	25.0	2.63	66.8	0.669	17.0	0.531	13.5	0.866	22.0		50
	KFL1TC4	T95-16	5/8"	16	0.65	16.5	0.984	25.0	2.63	66.8	0.669	17.0	0.531	13.5	0.866	22.0		50
	KFL1TC5	T95-20	3/4"	20	0.827	21.0	1.102	28.0	2.63	66.8	0.669	17.0	0.531	13.5	0.866	22.0		50
A.W.G. 4/0 120mm²	KFL1TD0	T120-10	3/8"	10	0.413	10.5	1.142	29.0	2.815	71.5	0.787	20.0	0.614	15.6	1.063	27.0	IZUMI EP-520C	30
	KFL1TD1	T120-12	1/2"	12	0.52	13.2	1.142	29.0	2.815	71.5	0.787	20.0	0.614	15.6	1.063	27.0		30
	KFL1TD2	T120-14	9/16"	14	0.571	14.5	1.142	29.0	2.815	71.5	0.787	20.0	0.614	15.6	1.063	27.0		30
	KFL1TD3	T120-16	5/8"	16	0.65	16.5	1.142	29.0	2.815	71.5	0.787	20.0	0.614	15.6	1.063	27.0		30
	KFL1TD4	T120-20	3/4"	20	0.827	21.0	1.142	29.0	2.815	71.5	0.787	20.0	0.614	15.6	1.063	27.0		30

Copper Tubular Lugs (T)

Brand	KF®
Finish/Coating	Tinned
Base Materials	Copper
Insulation Material	N/A
Brazed	Seam
Wire/Cable Type	Regular Wire
Color Code	Standard
MOQ	1000Pcs/item
Payment Terms	Based on orders
Delivery	FOB/CIF/DDP



Spec(American AWG)	250/300MCM	300/350MCM	400MCM	500MCM
Spec(JIS AWG)	150	185	240	300
Spec(DIN AWG)				
Spec(GB mm²)				
Max Current	445	505	545	620
Spec(American AWG)	600/750MCM	800/1000MCM	1000/1250MCM	
Spec(JIS AWG)	400	500	630	
Spec(DIN AWG)				
Spec(GB mm²)				
Max Current	785	935	1065	



Wire Range	SKU#	MFG#	Stud Size		Dimension(mm)											Tool	pcs/pack	
			USA	Metric	d2	B	L	D	d	E								
A.W.G.250/300MCM 150mm²	KFL1TE0	T150-10	3/8"	10	0.413	10.5	1.205	30.6	3.071	78.0	0.827	21.0	0.65	16.5	1.26	32.0	IZUMI EP-520C	10
	KFL1TE1	T150-12	1/2"	12	0.52	13.2	1.205	30.6	3.071	78.0	0.827	21.0	0.65	16.5	1.26	32.0		10
	KFL1TE2	T150-14	9/16"	14	0.571	14.5	1.205	30.6	3.071	78.0	0.827	21.0	0.65	16.5	1.26	32.0		10
	KFL1TE3	T150-16	5/8"	16	0.65	16.5	1.205	30.6	3.071	78.0	0.827	21.0	0.65	16.5	1.26	32.0		10
	KFL1TE4	T150-20	3/4"	20	0.827	21.0	1.205	30.6	3.071	78.0	0.827	21.0	0.65	16.5	1.26	32.0		10
A.W.G.300/350MCM 185mm²	KFL1TF0	T185-10	3/8"	10	0.413	10.5	1.339	34.0	3.307	84.0	0.929	23.6	0.724	18.4	1.339	34.0	IZUMI EP-520C	10
	KFL1TF1	T185-12	1/2"	12	0.52	13.2	1.339	34.0	3.307	84.0	0.929	23.6	0.724	18.4	1.339	34.0		10
	KFL1TF2	T185-14	9/16"	14	0.571	14.5	1.339	34.0	3.307	84.0	0.929	23.6	0.724	18.4	1.339	34.0		10
	KFL1TF3	T185-16	5/8"	16	0.65	16.5	1.339	34.0	3.307	84.0	0.929	23.6	0.724	18.4	1.339	34.0		10
	KFL1TF4	T185-20	3/4"	20	0.827	21.0	1.339	34.0	3.307	84.0	0.929	23.6	0.724	18.4	1.339	34.0		10
A.W.G.400MCM 240mm²	KFL1TG0	T240-10	3/8"	10	0.413	10.5	1.516	38.5	3.543	90.0	1.039	26.4	0.835	21.2	1.457	37.0	IZUMI EP-520C	10
	KFL1TG1	T240-12	1/2"	12	0.52	13.2	1.516	38.5	3.543	90.0	1.039	26.4	0.835	21.2	1.457	37.0		10
	KFL1TG2	T240-14	9/16"	14	0.571	14.5	1.516	38.5	3.543	90.0	1.039	26.4	0.835	21.2	1.457	37.0		10
	KFL1TG3	T240-16	5/8"	16	0.65	16.5	1.516	38.5	3.543	90.0	1.039	26.4	0.835	21.2	1.457	37.0		10
	KFL1TG4	T240-20	3/4"	20	0.827	21.0	1.516	38.5	3.543	90.0	1.039	26.4	0.835	21.2	1.457	37.0		10
A.W.G.500MCM 300mm²	KFL1TH0	T300-10	3/8"	10	0.413	10.5	1.654	42.0	3.78	96.0	1.126	28.6	0.921	23.4	1.575	40.0	IZUMI EP-1000A	5
	KFL1TH1	T300-12	1/2"	12	0.52	13.2	1.654	42.0	3.78	96.0	1.126	28.6	0.921	23.4	1.575	40.0		5
	KFL1TH2	T300-14	9/16"	14	0.571	14.5	1.654	42.0	3.78	96.0	1.126	28.6	0.921	23.4	1.575	40.0		5
	KFL1TH3	T300-16	5/8"	16	0.65	16.5	1.654	42.0	3.78	96.0	1.126	28.6	0.921	23.4	1.575	40.0		5
	KFL1TH4	T300-20	3/4"	20	0.827	21.0	1.654	42.0	3.78	96.0	1.126	28.6	0.921	23.4	1.575	40.0		5
A.W.G.600/750MCM 400mm²	KFL1TI0	T400-10	3/8"	10	0.413	10.5	1.89	48.0	4.122	104.7	1.291	32.8	1.055	26.8	1.457	37.0	IZUMI EP-1000A	5
	KFL1TI1	T400-12	1/2"	12	0.52	13.2	1.89	48.0	4.122	104.7	1.291	32.8	1.055	26.8	1.457	37.0		5
	KFL1TI2	T400-14	9/16"	14	0.571	14.5	1.89	48.0	4.122	104.7	1.291	32.8	1.055	26.8	1.457	37.0		5
	KFL1TI3	T400-16	5/8"	16	0.65	16.5	1.89	48.0	4.122	104.7	1.291	32.8	1.055	26.8	1.457	37.0		5
	KFL1TI4	T400-20	3/4"	20	0.827	21.0	1.89	48.0	4.122	104.7	1.291	32.8	1.055	26.8	1.457	37.0		5
A.W.G.800/1000MCM 500mm²	KFL1TJ0	T500-10	3/8"	10	0.413	10.5	2.165	55.0	4.547	115.5	1.512	38.4	1.173	29.8	1.831	46.5	IZUMI EP-1000A	5
	KFL1TJ1	T500-12	1/2"	12	0.52	13.2	2.165	55.0	4.547	115.5	1.512	38.4	1.173	29.8	1.831	46.5		5
	KFL1TJ2	T500-14	9/16"	14	0.571	14.5	2.165	55.0	4.547	115.5	1.512	38.4	1.173	29.8	1.831	46.5		5
	KFL1TJ3	T500-16	5/8"	16	0.65	16.5	2.165	55.0	4.547	115.5	1.512	38.4	1.173	29.8	1.831	46.5		5
	KFL1TJ4	T500-20	3/4"	20	0.827	21.0	2.165	55.0	4.547	115.5	1.512	38.4	1.173	29.8	1.831	46.5		5
A.W.G.1000/1250MCM 630mm²	KFL1TK0	T630-10	3/8"	10	0.413	10.5	2.52	64.0	5.24	133.1	1.76	44.7	1.358	34.5	1.969	50.0	IZUMI EP-1000A	5
	KFL1TK1	T630-12	1/2"	12	0.52	13.2	2.52	64.0	5.24	133.1	1.76	44.7	1.358	34.5	1.969	50.0		5
	KFL1TK2	T630-14	9/16"	14	0.571	14.5	2.52	64.0	5.24	133.1	1.76	44.7	1.358	34.5	1.969	50.0		5
	KFL1TK3	T630-16	5/8"	16	0.65	16.5	2.52	64.0	5.24	133.1	1.76	44.7	1.358	34.5	1.969	50.0		5
	KFL1TK4	T630-20	3/4"	20	0.827	21.0	2.52	64.0	5.24	133.1	1.76	44.7	1.358	34.5	1.969	50.0		5