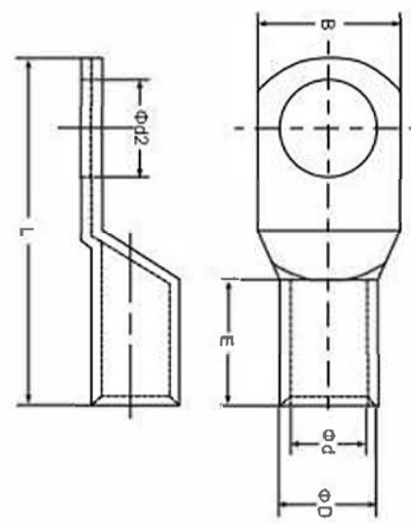


Copper Tubular Lugs (Type WB)

Copper Tubular Lugs

Brand	KF [®]
Finish/Coating	Tinned
Base Materials	Copper
Insulation Material	N/A
Brazed	Seam
Wire/Cable Type	Regular Wire
Color Code	Standard
MOQ	1000Pcs/item
Payment Terms	Based on orders
Delivery	FOB/CIF/DDP



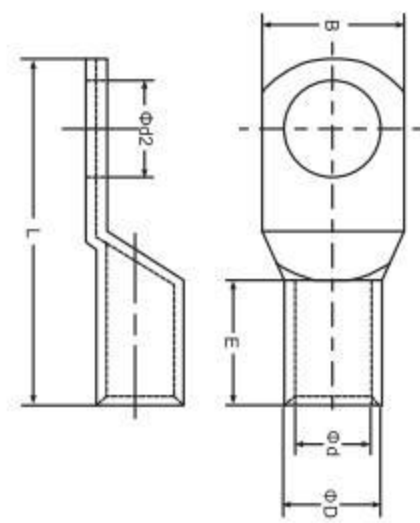
Spec(American AWG)	10	8	6	4	2	1/0	2/0
Spec(JIS AWG)	6	10	16	25	35	50	70
Spec(DIN AWG)							
Spec(GB mm ²)							
Max Current	50	70	95	125	170	230	265



Wire Range	SKU#	MFG#	Stud Size		Dimension(mm)										Tool	pcs/pack		
			USA	Merica	d2	B	L	D	d	E								
A.W.G. 10 6mm ²	KFLWB10	WB6-5	#10	5	0.217	5.5	0.394	10.0	1.083	27.5	0.256	6.5	0.138	3.5	0.354	9.0	IZUMI 5N18	500
	KFLWB11	WB6-6	1/4"	6	0.256	6.5	0.472	12.0	1.08	27.5	0.256	6.5	0.138	3.5	0.354	9.0		500
	KFLWB12	WB6-8	5/16"	8	0.331	8.4	0.591	15.0	1.3	33.0	0.256	6.5	0.138	3.5	0.354	9.0		500
	KFLWB13	WB6-10	3/8"	10	0.413	10.5	0.669	17.0	1.46	37.0	0.256	6.5	0.138	3.5	0.354	9.0		500
	KFLWB14	WB6-12	1/2"	12	0.512	13.0	0.748	19.0	1.61	41.0	0.256	6.5	0.138	3.5	0.354	9.0		500
A.W.G. 8 10mm ²	KFLWB20	WB10-5	#10	5	0.217	5.5	0.472	12.0	1.122	28.5	0.276	7.0	0.181	4.6	0.394	10.0	IZUMI 5N18	500
	KFLWB21	WB10-6	1/4"	6	0.256	6.5	0.472	12.0	1.122	28.5	0.276	7.0	0.181	4.6	0.394	10.0		500
	KFLWB22	WB10-8	5/16"	8	0.331	8.4	0.591	15.0	1.378	35.0	0.276	7.0	0.181	4.6	0.394	10.0		500
	KFLWB23	WB10-10	3/8"	10	0.413	10.5	0.669	17.0	1.535	39.0	0.276	7.0	0.181	4.6	0.394	10.0		500
	KFLWB24	WB10-12	1/2"	12	0.512	13.0	0.748	19.0	1.654	42.0	0.276	7.0	0.181	4.6	0.394	10.0		500
A.W.G. 6 16mm ²	KFLWB30	WB16-5	#10	5	0.217	5.5	0.472	12.0	1.24	31.5	0.335	8.5	0.217	5.5	0.512	13.0	OPT TP-150D	500
	KFLWB31	WB16-6	1/4"	6	0.256	6.5	0.472	12.0	1.31	33.3	0.335	8.5	0.217	5.5	0.512	13.0		500
	KFLWB32	WB16-8	5/16"	8	0.331	8.4	0.591	15.0	1.48	37.5	0.335	8.5	0.217	5.5	0.512	13.0		500
	KFLWB33	WB16-10	3/8"	10	0.413	10.5	0.669	17.0	1.63	41.5	0.335	8.5	0.217	5.5	0.512	13.0		500
	KFLWB34	WB16-12	1/2"	12	0.512	13.0	0.748	19.0	1.77	45.0	0.335	8.5	0.217	5.5	0.512	13.0		500
A.W.G. 4 25mm ²	KFLWB40	WB25-5	#10	5	0.217	5.5	0.551	14.0	1.476	37.5	0.394	10.0	0.276	7.0	0.591	15.0	OPT TP-150D	250
	KFLWB41	WB25-6	1/4"	6	0.256	6.5	0.551	14.0	1.476	37.5	0.394	10.0	0.276	7.0	0.591	15.0		250
	KFLWB42	WB25-8	5/16"	8	0.331	8.4	0.630	16.0	1.654	42.0	0.394	10.0	0.276	7.0	0.591	15.0		250
	KFLWB43	WB25-10	3/8"	10	0.413	10.5	0.709	18.0	1.811	46.0	0.394	10.0	0.276	7.0	0.591	15.0		250
	KFLWB44	WB25-12	1/2"	12	0.512	13.0	0.748	19.0	1.89	48.0	0.394	10.0	0.276	7.0	0.591	15.0		250
	KFLWB45	WB25-14	9/16"	14	0.591	15.0	0.827	21.0	2.067	52.5	0.394	10.0	0.276	7.0	0.591	15.0		250
A.W.G. 2 35mm ²	KFLWB50	WB35-6	1/4"	6	0.256	6.5	0.669	17.0	1.555	39.5	0.472	12.0	0.335	8.5	0.669	17.0	OPT TP-150D	200
	KFLWB51	WB35-8	5/16"	8	0.331	8.4	0.669	17.0	1.732	44.0	0.472	12.0	0.335	8.5	0.669	17.0		200
	KFLWB52	WB35-10	3/8"	10	0.413	10.5	0.748	19.0	1.929	49.0	0.472	12.0	0.335	8.5	0.669	17.0		200
	KFLWB53	WB35-12	1/2"	12	0.512	13.0	0.827	21.0	2.008	51.0	0.472	12.0	0.335	8.5	0.669	17.0		200
	KFLWB54	WB35-14	9/16"	14	0.591	15.0	0.827	21.0	2.146	54.5	0.472	12.0	0.335	8.5	0.669	17.0		200
	KFLWB55	WB35-16	5/8"	16	0.669	17.0	1.024	26.0	2.283	58.0	0.472	12.0	0.335	8.5	0.669	17.0		200
A.W.G. 1/0 50mm ²	KFLWB60	WB50-6	1/4"	6	0.256	6.5	0.787	20.0	1.85	47.0	0.551	14.0	0.394	10.0	0.748	19.0	OPT TP-150D	100
	KFLWB61	WB50-8	5/16"	8	0.331	8.4	0.787	20.0	1.85	47.0	0.551	14.0	0.394	10.0	0.748	19.0		100
	KFLWB62	WB50-10	3/8"	10	0.413	10.5	0.787	20.0	2.008	51.0	0.551	14.0	0.394	10.0	0.748	19.0		100
	KFLWB63	WB50-12	1/2"	12	0.512	13.0	0.906	23.0	2.205	56.0	0.551	14.0	0.394	10.0	0.748	19.0		100
	KFLWB64	WB50-14	9/16"	14	0.591	15.0	0.906	23.0	2.343	59.5	0.551	14.0	0.394	10.0	0.748	19.0		100
	KFLWB65	WB50-16	5/8"	16	0.669	17.0	1.102	28.0	2.441	62.0	0.551	14.0	0.394	10.0	0.748	19.0		100
	KFLWB66	WB50-20	3/4"	20	0.827	21.0	1.181	30.0	2.638	67.0	0.551	14.0	0.394	10.0	0.748	19.0		100
A.W.G. 2/0 70mm ²	KFLWB70	WB70-6	1/4"	6	0.256	6.5	0.906	23.0	2.087	53.0	0.65	16.5	0.472	12.0	0.827	21.0	OPT TP-150D	100
	KFLWB71	WB70-8	5/16"	8	0.331	8.4	0.906	23.0	2.09	53.0	0.65	16.5	0.472	12.0	0.827	21.0		100
	KFLWB72	WB70-10	3/8"	10	0.413	10.5	0.906	23.0	2.21	56.0	0.65	16.5	0.472	12.0	0.827	21.0		100
	KFLWB73	WB70-12	1/2"	12	0.512	13.0	0.906	23.0	2.32	59.0	0.65	16.5	0.472	12.0	0.827	21.0		100
	KFLWB74	WB70-14	9/16"	14	0.591	15.0	0.906	23.0	2.46	62.5	0.65	16.5	0.472	12.0	0.827	21.0		100
	KFLWB75	WB70-16	5/8"	16	0.669	17.0	1.102	28.0	2.6	66.0	0.65	16.5	0.472	12.0	0.827	21.0		100
	KFLWB76	WB70-20	3/4"	20	0.827	21.0	1.181	30.0	2.84	72.0	0.65	16.5	0.472	12.0	0.827	21.0		100

Copper Tubular Lugs (Type WB)

Brand	KF [®]
Finish/Coating	Tinned
Base Materials	Copper
Insulation Material	N/A
Brazed	Seam
Wire/Cable Type	Regular Wire
Color Code	Standard
MOQ	1000Pcs/item
Payment Terms	Based on orders
Delivery	FOB/CIF/DDP



Spec(American AWG)	3/0	4/0	250/300MCM	300/350MCM
Spec(JIS AWG)	95	120	150	185
Spec(DIN AWG)				
Spec(GB mm ²)				
Max Current	310	360	445	505
Spec(American AWG)	400MCM	500MCM	600/750MCM	
Spec(JIS AWG)	240	300	400	
Spec(DIN AWG)				
Spec(GB mm ²)				
Max Current	545	620	785	



Wire Range	SKU#	MFG#	Stud Size		Dimension(mm)											Tool	pcs/pack	
			USA	Metric	d2	B	L	D	d	E								
A.W.G. 3/0 95mm ²	KFLWB80	WB95-8	5/16"	8	0.331	8.4	1.024	26.0	2.362	60.0	0.709	18.0	0.531	13.5	0.984	25.0	OPT TP-150D	50
	KFLWB81	WB95-10	3/8"	10	0.413	10.5	1.024	26.0	2.362	60.0	0.709	18.0	0.531	13.5	0.984	25.0		50
	KFLWB82	WB95-12	1/2"	12	0.512	13.0	1.024	26.0	2.441	62.0	0.709	18.0	0.531	13.5	0.984	25.0		50
	KFLWB83	WB95-14	9/16"	14	0.591	15.0	1.024	26.0	2.579	65.5	0.709	18.0	0.531	13.5	0.984	25.0		50
	KFLWB84	WB95-16	5/8"	16	0.669	17.0	1.102	28.0	2.756	70.0	0.709	18.0	0.531	13.5	0.984	25.0		50
	KFLWB85	WB95-20	3/4"	20	0.827	21.0	1.417	36.0	3.228	82.0	0.709	18.0	0.531	13.5	0.984	25.0		50
A.W.G. 4/0 120mm ²	KFLWB90	WB120-8	5/16"	8	0.331	8.4	1.102	28.0	2.559	65.0	0.768	19.5	0.591	15.0	1.024	26.0	IZUMI EP-520C	30
	KFLWB91	WB120-10	3/8"	10	0.413	10.5	1.102	28.0	2.559	65.0	0.768	19.5	0.591	15.0	1.024	26.0		30
	KFLWB92	WB120-12	1/2"	12	0.512	13.0	1.102	28.0	2.559	65.0	0.768	19.5	0.591	15.0	1.024	26.0		30
	KFLWB93	WB120-14	9/16"	14	0.591	15.0	1.102	28.0	2.638	67.0	0.768	19.5	0.591	15.0	1.024	26.0		30
	KFLWB94	WB120-16	5/8"	16	0.669	17.0	1.181	30.0	2.756	70.0	0.768	19.5	0.591	15.0	1.024	26.0		30
	KFLWB95	WB120-20	3/4"	20	0.827	21.0	1.417	36.0	3.346	85.0	0.768	19.5	0.591	15.0	1.024	26.0		30
A.W.G. 250/300MCM 150mm ²	KFLWBA0	WB150-8	5/16"	8	0.331	8.4	1.22	31.0	2.756	70.0	0.827	21.0	0.65	16.5	1.181	30.0	IZUMI EP-520C	10
	KFLWBA1	WB150-10	3/8"	10	0.413	10.5	1.22	31.0	2.756	70.0	0.827	21.0	0.65	16.5	1.181	30.0		10
	KFLWBA2	WB150-12	1/2"	12	0.512	13.0	1.22	31.0	2.835	72.0	0.827	21.0	0.65	16.5	1.181	30.0		10
	KFLWBA3	WB150-14	9/16"	14	0.591	15.0	1.22	31.0	2.835	72.0	0.827	21.0	0.65	16.5	1.181	30.0		10
	KFLWBA4	WB150-16	5/8"	16	0.669	17.0	1.22	31.0	2.913	74.0	0.827	21.0	0.65	16.5	1.181	30.0		10
	KFLWBA5	WB150-20	3/4"	20	0.827	21.0	1.417	36.0	3.465	88.0	0.827	21.0	0.65	16.5	1.181	30.0		10
A.W.G. 300/350MCM 185mm ²	KFLWBB0	WB185-10	3/8"	10	0.413	10.5	1.378	35.0	3.268	83.0	0.945	24.0	0.748	19.0	1.181	30.0	IZUMI EP-520C	10
	KFLWBB1	WB185-12	1/2"	12	0.512	13.0	1.378	35.0	3.268	83.0	0.945	24.0	0.748	19.0	1.181	30.0		10
	KFLWBB2	WB185-14	9/16"	14	0.591	15.0	1.378	35.0	3.268	83.0	0.945	24.0	0.748	19.0	1.181	30.0		10
	KFLWBB3	WB185-16	5/8"	16	0.669	17.0	1.378	35.0	3.268	83.0	0.945	24.0	0.748	19.0	1.181	30.0		10
	KFLWBB4	WB185-20	3/4"	20	0.827	21.0	1.535	39.0	3.583	91.0	0.945	24.0	0.748	19.0	1.181	30.0		10
A.W.G. 400MCM 240mm ²	KFLWBC0	WB240-10	3/8"	10	0.413	10.5	1.535	39.0	3.681	93.5	1.024	26.0	0.827	21.0	1.378	35.0	IZUMI EP-520C	10
	KFLWBC1	WB240-12	1/2"	12	0.512	13.0	1.535	39.0	3.681	93.5	1.024	26.0	0.827	21.0	1.378	35.0		10
	KFLWBC2	WB240-14	9/16"	14	0.591	15.0	1.535	39.0	3.681	93.5	1.024	26.0	0.827	21.0	1.378	35.0		10
	KFLWBC3	WB240-16	5/8"	16	0.669	17.0	1.535	39.0	3.681	93.5	1.024	26.0	0.827	21.0	1.378	35.0		10
	KFLWBC4	WB240-20	3/4"	20	0.827	21.0	1.535	39.0	3.681	93.5	1.024	26.0	0.827	21.0	1.378	35.0		10
A.W.G. 500MCM 300mm ²	KFLWBD0	WB300-12	1/2"	12	0.512	13.0	1.693	43.0	4.37	111.0	1.161	29.5	0.925	23.5	1.732	44.0	IZUMI EP-1000A	5
	KFLWBD1	WB300-14	9/16"	14	0.591	15.0	1.693	43.0	4.37	111.0	1.161	29.5	0.925	23.5	1.732	44.0		5
	KFLWBD2	WB300-16	5/8"	16	0.669	17.0	1.693	43.0	4.37	111.0	1.161	29.5	0.925	23.5	1.732	44.0		5
	KFLWBD3	WB300-20	3/4"	20	0.827	21.0	1.693	43.0	4.37	111.0	1.161	29.5	0.925	23.5	1.732	44.0		5
A.W.G. 600/750MCM 400mm ²	KFLWBE0	WB400-12	1/2"	12	0.512	13.0	1.929	49.0	4.488	114.0	1.339	34.0	1.063	27.0	1.732	44.0	IZUMI EP-1000A	5
	KFLWBE1	WB400-14	9/16"	14	0.591	15.0	1.929	49.0	4.488	114.0	1.339	34.0	1.063	27.0	1.732	44.0		5
	KFLWBE2	WB400-16	5/8"	16	0.669	17.0	1.929	49.0	4.488	114.0	1.339	34.0	1.063	27.0	1.732	44.0		5
	KFLWBE3	WB400-20	3/4"	20	0.827	21.0	1.929	49.0	4.488	114.0	1.339	34.0	1.063	27.0	1.732	44.0		5