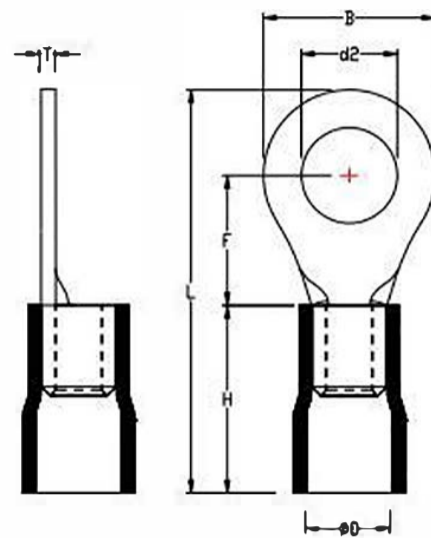


Vinyl-Insulated Single Crimp Ring Terminals

Brand	KF®
Finish/Coating	Tinned
Base Materials	Copper, PVC
Insulation Material	N/A
Brazed	Seam
Wire/Cable Type	Regular Wire
Color Code	Standard
MOQ	1000Pcs/item
Payment Terms	Based on orders
Delivery	FOB/CIF/DDP



Spec (American AWG)	22-16	16-14	14-12	12-10
Spec (JIS AWG)	1.25	2	3.5	5.5
Spec (DIN AWG)	1	2.5		4.0-6.0
Spec (GB mm²)	0.5-1.5	2.5	4	6
Max Current	19	27	37	48
Operating Voltage	600V			
Temperature Withstand	75°C			

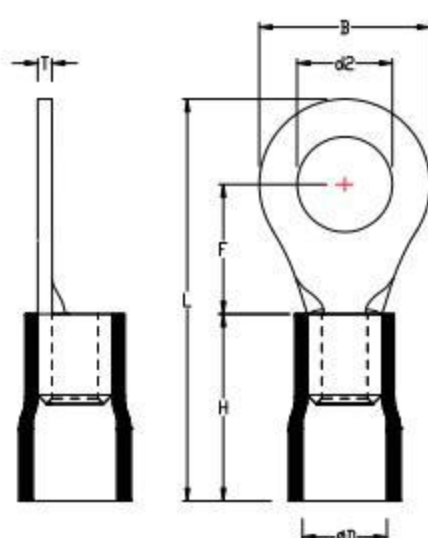


Insulated Single Crimp Terminals

Wire Range	SKU#	MFG#	Stud Size		Dimension(mm)								Color	Tool	pcs/pack			
			USA	Meri	d2	B	F	L	H	D	T							
A.W.G. 22-16 0.5~1.5mm²	KFSV110	RV1.25-3	#4	3	0.126	3.2	0.217	5.5	0.197	5.0	0.689	17.5	0.394 (10.0)	0.177 (4.5)	0.03 (0.75)	red	IZUMI 3#	1000
	KFSV111	RVS1.25-3.5	#6	3.5	0.146	3.7	0.217	5.5	0.197	5.0	0.689	17.5						1000
	KFSV112	RVM1.25-3.5	#6	3.5	0.146	3.7	0.256	6.5	0.236	6.0	0.768	19.5						1000
	KFSV113	RVS1.25-4	#8	4	0.169	4.3	0.256	6.5	0.236	6.0	0.768	19.5						1000
	KFSV114	RVL1.25-4	#8	4	0.169	4.3	0.315	8.0	0.276	7.0	0.827	21.0						1000
	KFSV115	RV1.25-5	#10	5	0.209	5.3	0.315	8.0	0.276	7.0	0.827	21.0						1000
	KFSV116	RVL1.25-5	#10	5	0.209	5.3	0.394	10.0	0.315	8.0	0.906	23.0						1000
	KFSV117	RVS1.25-6	1/4"	6	0.252	6.4	0.394	10.0	0.315	8.0	0.906	23.0						1000
	KFSV118	RV1.25-6	1/4"	6	0.252	6.4	0.453	11.5	0.433	11.0	1.063	27.0						1000
	KFSV119	RV1.25-8	5/16"	8	0.331	8.4	0.453	11.5	0.433	11.0	1.063	27.0						1000
	KFSV11A	RV1.25-10	3/8"	10	0.413	10.5	0.531	13.5	0.551	14.0	1.201	30.5						1000
KFSV11B	RV1.25-12	1/2"	12	0.512	13.0	0.748	19.0	0.551	14.0	1.398	35.5	500						
A.W.G. 16-14 1.5~2.5mm²	KFSV120	RV2-3	#4	3	0.126	3.2	0.256	6.5	0.177	4.5	0.709	18.0	0.394 (10.0)	0.197 (5.0)	0.031 (0.8)	blue	IZUMI 4#	1000
	KFSV121	RVS2-3.5	#6	3.5	0.146	3.7	0.256	6.5	0.177	4.5	0.709	18.0						1000
	KFSV122	RVM2-3.5	#6	3.5	0.146	3.7	0.256	6.5	0.236	6.0	0.768	19.5						1000
	KFSV123	RVS2-4	#8	4	0.169	4.3	0.256	6.5	0.236	6.0	0.768	19.5						1000
	KFSV124	RVL2-4	#8	4	0.169	4.3	0.335	8.5	0.315	8.0	0.866	22.0						1000
	KFSV125	RVS2-5	#10	5	0.209	5.3	0.335	8.5	0.315	8.0	0.866	22.0						1000
	KFSV126	RVL2-5	#10	5	0.209	5.3	0.374	9.5	0.295	7.5	0.866	22.0						1000
	KFSV127	RV2-6	1/4"	6	0.252	6.4	0.472	12.0	0.433	11.0	1.063	27.0						1000
	KFSV128	RV2-8	5/16"	8	0.331	8.4	0.472	12.0	0.433	11.0	1.063	27.0						1000
	KFSV129	RV2-10	3/8"	10	0.413	10.5	0.531	13.5	0.551	14.0	1.201	30.5						1000
	KFSV12A	RV2-12	1/2"	12	0.512	13.0	0.748	19.0	0.63	16.0	1.398	35.5						500
A.W.G. 14-12 2.5~4mm²	KFSV130	RV3.5-4	#8	4	0.169	4.3	0.315	8.0	0.315	8.0	0.984	25.0	0.512 (13.0)	0.236 (6.0)	0.039 (1.0)	black	IZUMI 5#	1000
	KFSV131	RVS3.5-5	#10	5	0.209	5.3	0.315	8.0	0.315	8.0	0.984	25.0						1000
	KFSV132	RVL3.5-5	#10	5	0.209	5.3	0.472	12.0	0.374	9.5	1.122	28.5						500
	KFSV133	RV3.5-6	1/4"	6	0.252	6.4	0.472	12.0	0.374	9.5	1.122	28.5						500
	KFSV134	RV3.5-8	5/16"	8	0.331	8.4	0.591	15.0	0.531	13.5	1.339	34.0						500
	KFSV135	RV3.5-10	3/8"	10	0.413	10.5	0.591	15.0	0.531	13.5	1.339	34.0						500
	KFSV136	RV3.5-12	1/2"	12	0.512	13.0	0.787	20.0	0.61	15.5	1.516	38.5						500
A.W.G. 12-10 4~6mm²	KFSV140	RV5.5-3.5	#6	3.5	0.146	3.7	0.276	7.0	0.236	6.0	0.886	22.5	0.512 (13.0)	0.256 (6.5)	0.039 (1.0)	yellow	IZUMI 5#	1000
	KFSV141	RVS5.5-4	#8	4	0.169	4.3	0.276	7.0	0.236	6.0	0.886	22.5						1000
	KFSV142	RVL5.5-4	#8	4	0.169	4.3	0.374	9.5	0.315	8.0	1.024	26.0						1000
	KFSV143	RV5.5-5	#10	5	0.209	5.3	0.374	9.5	0.315	8.0	1.024	26.0						1000
	KFSV144	RV5.5-6	1/4"	6	0.252	6.4	0.472	12.0	0.413	10.5	1.161	29.5						500
	KFSV145	RV5.5-8	5/16"	8	0.331	8.4	0.591	15.0	0.531	13.5	1.331	33.8						500
	KFSV146	RV5.5-10	3/8"	10	0.413	10.5	0.591	15.0	0.531	13.5	1.331	33.8						500
	KFSV147	RV5.5-12	1/2"	12	0.512	13.0	0.748	19.0	0.63	16.0	1.516	38.5						500

Vinyl-Insulated Single Crimp Ring Terminals

Brand	KF®
Finish/Coating	Tinned
Base Materials	Copper, PVC
Insulation Material	N/A
Brazed	Seam
Wire/Cable Type	Regular Wire
Color Code	Standard
MOQ	1000Pcs/item
Payment Terms	Based on orders
Delivery	FOB/CIF/DDP



Spec (American AWG)	8	6	4	2
Spec (JIS AWG)	8	14	22	38
Spec (DIN AWG)	10	16	25	35
Spec (GB mm²)	10	16	25	35
Max Current	62	88	115	160
Operating Voltage	600V			
Temperature Withstand	75°C			



Wire Range	SKU#	MFG#	Stud Size		Dimension(mm)							Color	Tool	pcs/pack				
			USA	Meric	d2	B	F	L	H	D	T							
A.W.G. 8 8mm²	KFSV150	RV8-4	#8	4	0.169	4.3	0.346	8.8	0.413	10.5	1.181	30.0	0.591 (15.0)	0.315 (8.0)	0.047 (1.2)	red	OPT TP - 80	500
	KFSV151	RVS8-5	#10	5	0.209	5.3	0.346	8.8	0.413	10.5	1.181	30.0						500
	KFSV152	RVM8-5	#10	5	0.209	5.3	0.472	12.0	0.354	9.0	1.181	30.0						500
	KFSV153	RVL8-5	#10	5	0.209	5.3	0.591	15.0	0.551	14.0	1.437	36.5						500
	KFSV154	RVS8-6	1/4"	6	0.252	6.4	0.472	12.0	0.354	9.0	1.181	30.0						250
	KFSV155	RVL8-6	1/4"	6	0.252	6.4	0.591	15.0	0.551	14.0	1.437	36.5						250
	KFSV156	RV8-8	5/16"	8	0.331	8.4	0.591	15.0	0.551	14.0	1.437	36.5						250
	KFSV157	RV8-10	3/8"	10	0.413	10.5	0.591	15.0	0.551	14.0	1.437	36.5						250
	KFSV158	RV8-12	1/2"	12	0.512	13.0	0.866	22.0	0.591	15.0	1.614	41.0						250
A.W.G. 6 14mm²	KFSV160	RV14-4	#8	4	0.169	4.3	0.472	12.0	0.531	13.5	1.555	39.5	0.807 (20.5)	0.394 (10.0)	0.055 (1.4)	blue	OPT TP - 80	250
	KFSV161	RV14-5	#10	5	0.209	5.3	0.472	12.0	0.531	13.5	1.555	39.5						250
	KFSV162	RVS14-6	1/4"	6	0.252	6.4	0.472	12.0	0.531	13.5	1.555	39.5						250
	KFSV163	RVL14-6	1/4"	6	0.252	6.4	0.63	16.0	0.551	14.0	1.673	42.5						250
	KFSV164	RV14-8	5/16"	8	0.331	8.4	0.63	16.0	0.551	14.0	1.673	42.5						250
	KFSV165	RV14-10	3/8"	10	0.413	10.5	0.63	16.0	0.551	14.0	1.673	42.5						200
	KFSV166	RV14-12	1/2"	12	0.512	13.0	0.866	22.0	0.768	19.5	2.008	51.0						200
	KFSV167	RV14-16	5/8"	16	0.669	17.0	1.181	30.0	1.004	25.5	2.402	61.0						200
A.W.G. 4 22mm²	KFSV170	RVS22-5	#10	5	0.209	5.3	0.472	12.0	0.571	14.5	1.732	44.0	0.925 (23.5)	0.492 (12.5)	0.067 (1.7)	yellow	OPT TP - 80	100
	KFSV171	RVL22-5	#10	5	0.209	5.3	0.65	16.5	0.531	13.5	1.772	45.0						100
	KFSV172	RVS22-6	1/4"	6	0.252	6.4	0.472	12.0	0.571	14.5	1.732	44.0						100
	KFSV173	RVL22-6	1/4"	6	0.252	6.4	0.65	16.5	0.531	13.5	1.772	45.0						100
	KFSV174	RV22-8	5/16"	8	0.331	8.4	0.65	16.5	0.531	13.5	1.772	45.0						100
	KFSV175	RV22-10	3/8"	10	0.413	10.5	0.65	16.5	0.531	13.5	1.772	45.0						100
	KFSV176	RV22-12	1/2"	12	0.512	13.0	0.866	22.0	0.768	19.5	2.126	54.0						100
	KFSV177	RV22-14	9/16"	14	0.591	15.0	1.181	30.0	0.984	25.0	2.5	63.5						100
	KFSV178	RV22-16	5/8"	16	0.669	17.0	1.181	30.0	0.984	25.0	2.5	63.5						100
	A.W.G. 2 38mm²	KFSV180	RV38-5	#10	5	0.209	5.3	0.61	15.5	0.728	18.5	2.067						52.5
KFSV181		RV38-6	1/4"	6	0.252	6.4	0.61	15.5	0.728	18.5	2.067	52.5	50					
KFSV182		RVS38-8	5/16"	8	0.331	8.4	0.61	15.5	0.728	18.5	2.067	52.5	50					
KFSV183		RVL38-8	5/16"	8	0.331	8.4	0.866	22.0	0.689	17.5	2.165	55.0	50					
KFSV184		RVS38-10	3/8"	10	0.413	10.5	0.61	15.5	0.728	18.5	2.067	52.5	50					
KFSV185		RVL38-10	3/8"	10	0.413	10.5	0.866	22.0	0.689	17.5	2.165	55.0	50					
KFSV186		RV38-12	1/2"	12	0.512	13.0	0.866	22.0	0.689	17.5	2.165	55.0	50					
KFSV187		RV38-14	9/16"	14	0.591	15.0	1.181	30.0	0.945	24.0	2.559	65.0	50					
KFSV188		RV38-16	5/8"	16	0.669	17.0	1.181	30.0	0.945	24.0	2.559	65.0	50					